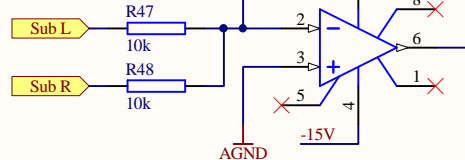
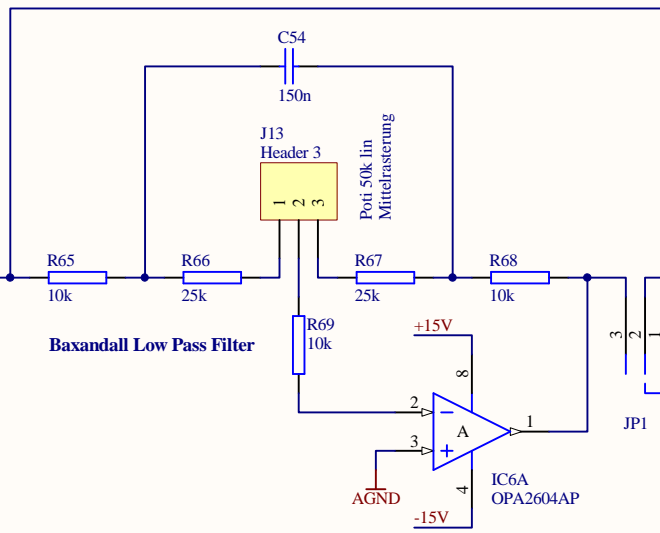


**Channel Summation**

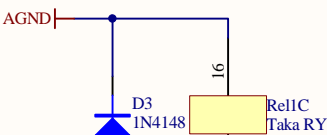
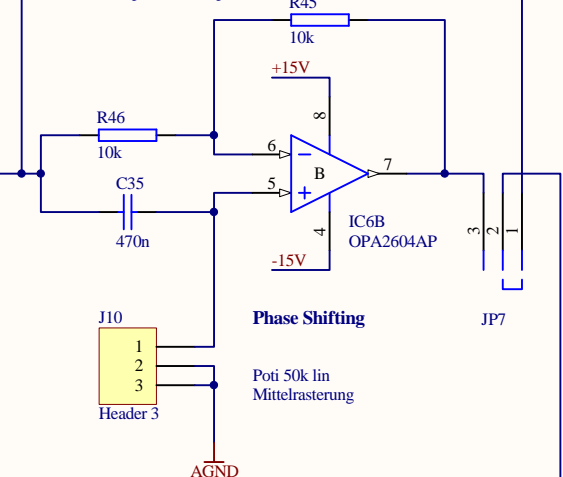


**Baxandall Low Pass Filter**



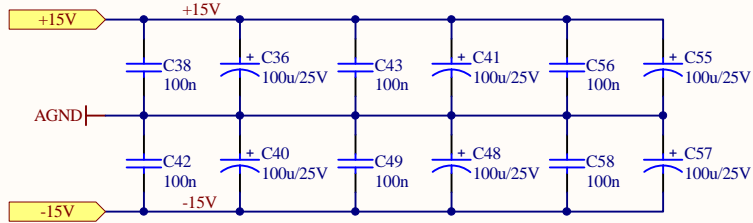
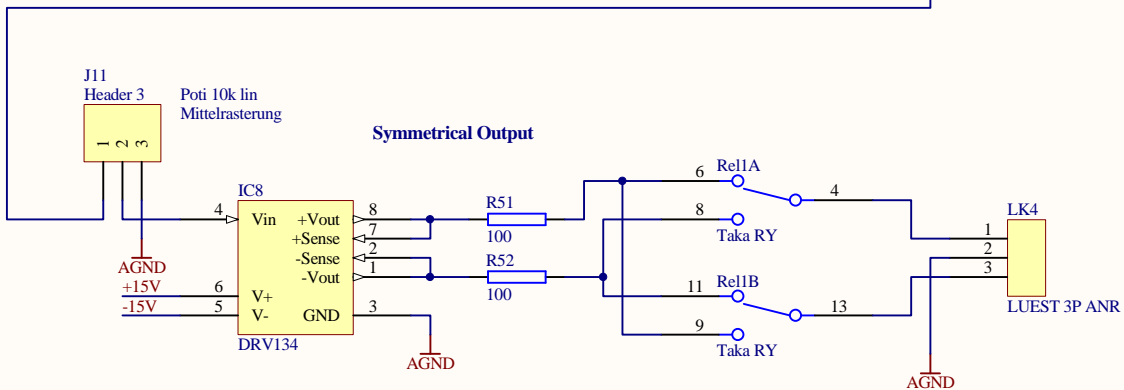
$$f_{90} = 1 / (2 * \pi * C35 * R_p)$$

**Phase Shifting**



**0/180 Deg. Phase Shift**

**Symmetrical Output**



Title		
<b>2 Way Active Crossover - Summing &amp; Phase Shift</b>		
Size	Number	Revision
A4	RStA0011	0
Date:	19.05.2009	Sheet of
File:	C:\User\...\OPSumPhase.SchDoc	Drawn By: Ralph Stens